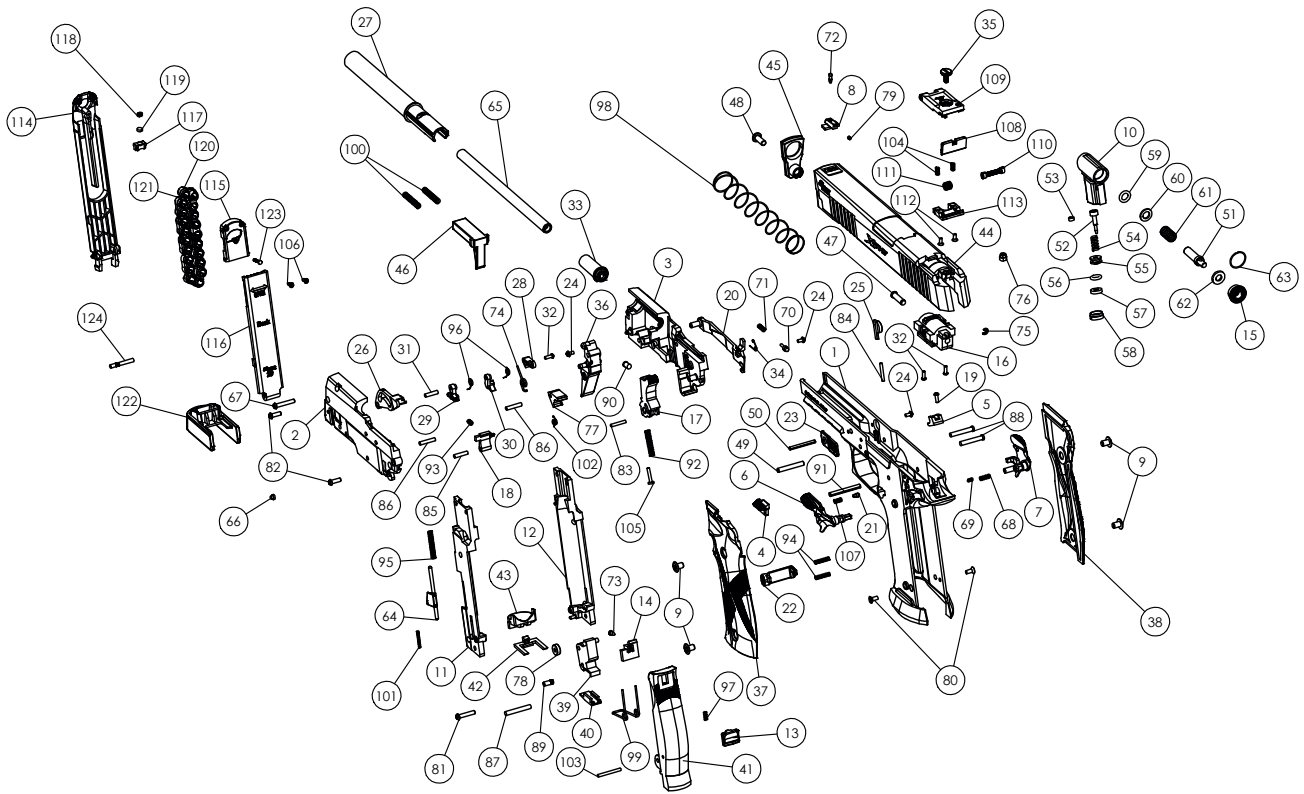


PRODUKTZEICHNUNG

SIG SAUER P226 XFIVE CO₂

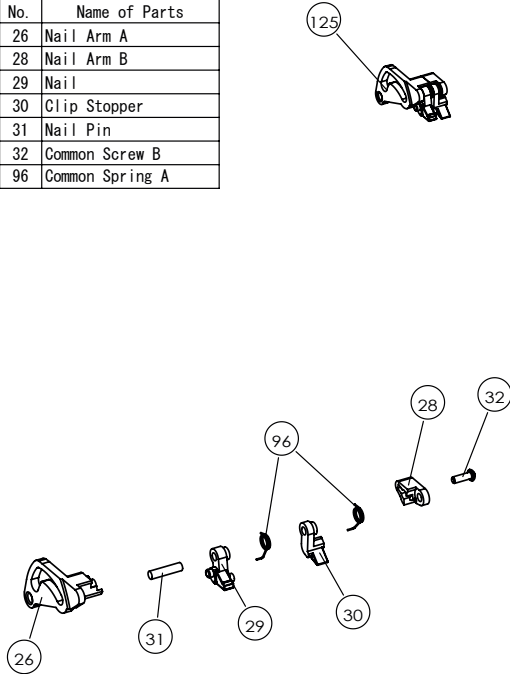
SIG SAUER®



| No. | Name of Parts | No. | Name of Parts | No. | Name of Parts | No. | Name of Parts |
|-----|-----------------------------|-----|----------------------------------|-----|---------------------------------|-----|---------------------------|
| 1 | Frame | 34 | Trigger Bar Spring | 67 | Outer Barrel Screw | 100 | Buffer Spring |
| 2 | Mechanism Frame Left | 35 | Rear Sight Elevation Dial | 68 | Safety Spring | 101 | Cylinder Base Spring |
| 3 | Mechanism Frame Right | 36 | Trigger | 69 | Safety Guide Spring | 102 | Hammer Block Spring |
| 4 | Dummy Slide Stop | 37 | Grip Left | 70 | Safety Click B | 103 | Puncture Clamp Spring Pin |
| 5 | Safety Hook | 38 | Grip Right | 71 | Safety Click B Spring | 104 | Rear Sight Spring |
| 6 | Safety Lever Left | 39 | Puncture Clamp | 72 | Front Sight Pin | 105 | Hammer Spring Guide |
| 7 | Safety Lever Right | 40 | Puncture Clamp Bottom | 73 | Grip Switch Nail Screw | 106 | Magazine Screw |
| 8 | Front Sight | 41 | Back Grip | 74 | Trigger Spring | 107 | Safety Click A Spring |
| 9 | Grip Screw | 42 | Puncture Frame Cover | 75 | E-ring ETW-2 | 108 | Rear Sight leaf |
| 10 | Valve Body | 43 | Cylinder Base | 76 | Rear Sight Nut | 109 | Rear Sight Base A |
| 11 | Puncture Frame Left | 44 | Slide | 77 | Hammer Block | 110 | Windage Dial |
| 12 | Puncture Frame Right | 45 | Barrel Bushing | 78 | Clamp Roller | 111 | Windage Dial Spring |
| 13 | Grip Switch | 46 | Slide Block | 79 | White Dot | 112 | Rear Sight Screw |
| 14 | Grip Switch Nail | 47 | Hit Pin | 80 | Frame Screw | 113 | Rear Sight Base B |
| 15 | Valve Cap | 48 | Barrel Bushing Screw | 81 | Puncture Frame Screw | 114 | Magazine Front Cover |
| 16 | Cylinder Block | 49 | Mechanism Frame Spring Pin Short | 82 | Mechanism Frame Screw | 115 | Magazine Rear Cover A |
| 17 | Hammer | 50 | Slide Block Spring Pin | 83 | Hammer Spring Pin | 116 | Magazine Rear Cover B |
| 18 | Sear | 51 | Valve Pin | 84 | Magazine Catch Pin | 117 | Clip Click |
| 19 | Safety Hook Screw | 52 | Pierce Pin | 85 | Sear Pin | 118 | Clip Click Spring |
| 20 | Trigger Bar | 53 | Filter | 86 | Common Pin A | 119 | Magnet |
| 21 | Safety Click A | 54 | Pierce Spring | 87 | Puncture Clamp Pin | 120 | Clip Piece |
| 22 | Magazine Catch | 55 | Pierce Ring | 88 | Valve Body Pin | 121 | Clip Joint |
| 23 | Dummy Take Down Lever Left | 56 | O-Ring P-5 Urethane | 89 | Clamp Roller Pin | 122 | Magazine Bumper |
| 24 | Common Screw A | 57 | Pierce Seal | 90 | Hammer Pin | 123 | Magazine Rear Cover A Pin |
| 25 | Dummy Take Down Lever Right | 58 | Pierce Cap | 91 | Mechanism Frame Spring Pin Long | 124 | Magazine Rear Cover B Pin |
| 26 | Nail Arm A | 59 | O-ring P-6 Urethane | 92 | Hammer Spring | 125 | Nail Assembly |
| 27 | Outer Barrel | 60 | Valve Washer | 93 | Sear Spring | 126 | Back Grip Assembly |
| 28 | Nail Arm B | 61 | Valve Spring | 94 | Magazine Catch Spring | 127 | Valve Assembly |
| 29 | Nail | 62 | Valve Seal | 95 | Magazine Release Spring | 128 | Slide Assembly |
| 30 | Clip Stopper | 63 | Piston Ring | 96 | Common Spring A | 129 | Magazine Assembly |
| 31 | Nail Pin | 64 | Magazine Release | 97 | Grip Switch Spring | | |
| 32 | Common Screw B | 65 | Inner Barrel | 98 | Slide Return Spring | | |
| 33 | Outer Barrel End | 66 | Red Dot | 99 | Puncture Clamp Spring | | |

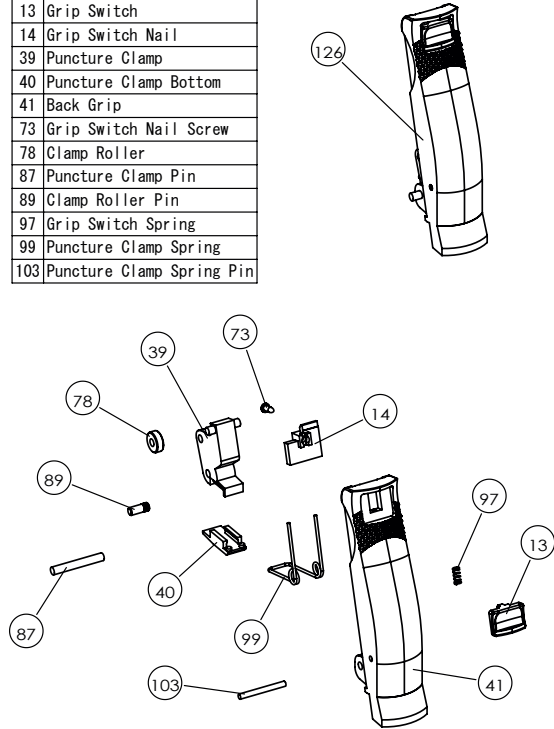
125. Nail Assembly

| No. | Name of Parts |
|-----|-----------------|
| 26 | Nail Arm A |
| 28 | Nail Arm B |
| 29 | Nail |
| 30 | Clip Stopper |
| 31 | Nail Pin |
| 32 | Common Screw B |
| 96 | Common Spring A |



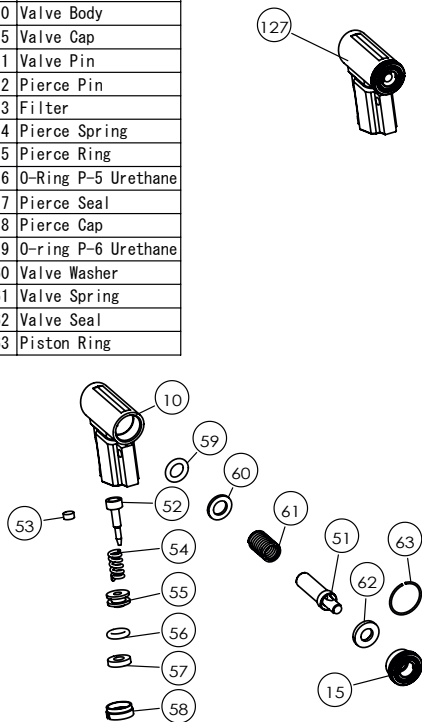
126. Back Grip Assembly

| No. | Name of Parts |
|-----|---------------------------|
| 13 | Grip Switch |
| 14 | Grip Switch Nail |
| 39 | Puncture Clamp |
| 40 | Puncture Clamp Bottom |
| 41 | Back Grip |
| 73 | Grip Switch Nail Screw |
| 78 | Clamp Roller |
| 87 | Puncture Clamp Pin |
| 89 | Clamp Roller Pin |
| 97 | Grip Switch Spring |
| 99 | Puncture Clamp Spring |
| 103 | Puncture Clamp Spring Pin |



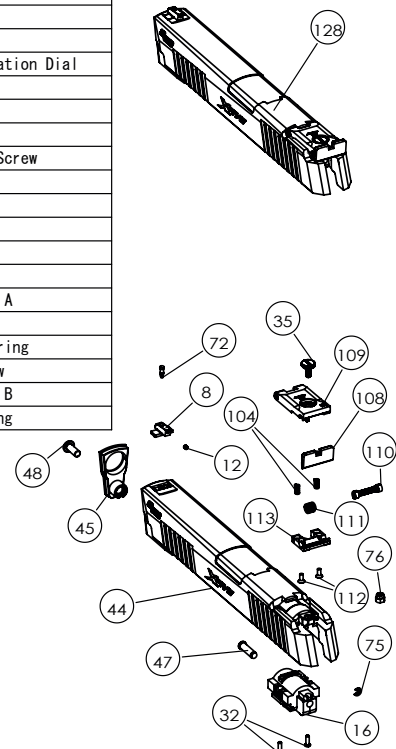
127. Valve Assembly

| No. | Name of Parts |
|-----|---------------------|
| 10 | Valve Body |
| 15 | Valve Cap |
| 51 | Valve Pin |
| 52 | Pierce Pin |
| 53 | Filter |
| 54 | Pierce Spring |
| 55 | Pierce Ring |
| 56 | O-Ring P-5 Urethane |
| 57 | Pierce Seal |
| 58 | Pierce Cap |
| 59 | O-ring P-6 Urethane |
| 60 | Valve Washer |
| 61 | Valve Spring |
| 62 | Valve Seal |
| 63 | Piston Ring |



128. Slide Assembly

| No. | Name of Parts |
|-----|---------------------------|
| 8 | Front Sight |
| 16 | Cylinder Block |
| 32 | Common Screw B |
| 35 | Rear Sight Elevation Dial |
| 44 | Slide |
| 45 | Barrel Bushing |
| 47 | Hit Pin |
| 48 | Barrel Bushing Screw |
| 72 | Front Sight Pin |
| 75 | E-ring ETW-2 |
| 76 | Rear Sight Nut |
| 12 | White Dot |
| 108 | Rear Sight leaf |
| 109 | Rear Sight Base A |
| 110 | Windage Dial |
| 111 | Windage Dial Spring |
| 112 | Rear Sight Screw |
| 113 | Rear Sight Base B |
| 104 | Rear Sight Spring |



129. Magazine Assembly

| No. | Name of Parts |
|-----|---------------------------|
| 114 | Magazine Front Cover |
| 115 | Magazine Rear Cover A |
| 116 | Magazine Rear Cover B |
| 117 | Clip Click |
| 118 | Clip Click Spring |
| 119 | Magnet |
| 120 | Clip Piece |
| 121 | Clip Joint |
| 122 | Magazine Bumper |
| 123 | Magazine Rear Cover A Pin |
| 124 | Magazine Rear Cover B Pin |
| 106 | Magazine Screw |

