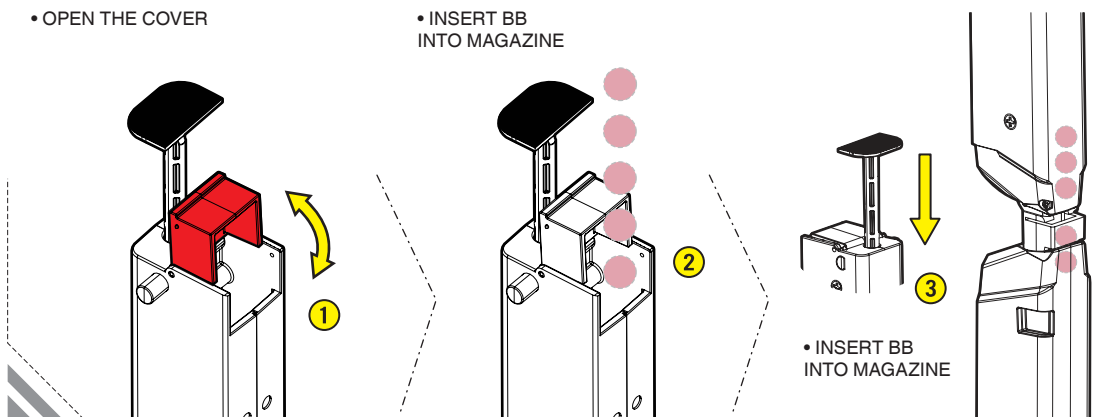
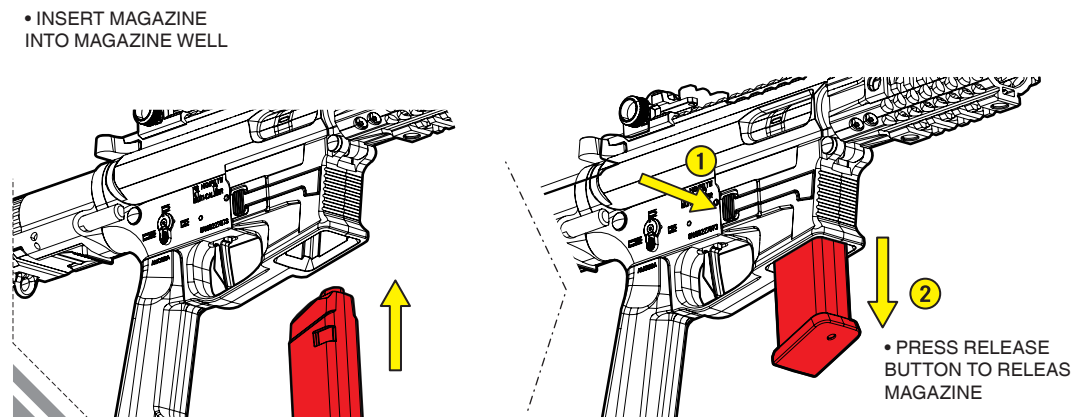


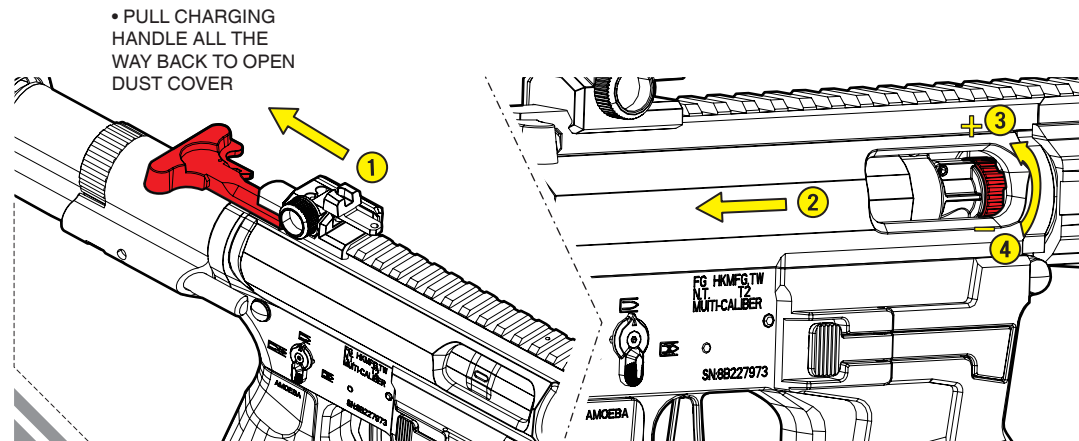
## LOADING MAGAZINE



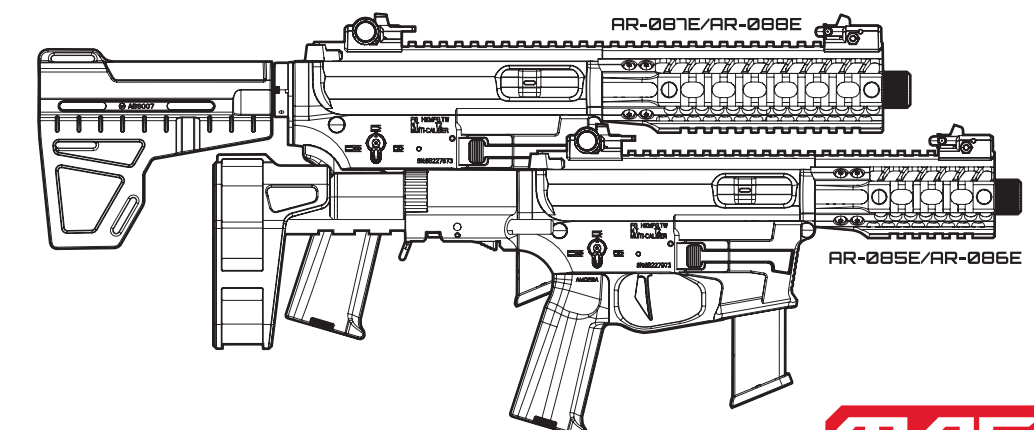
## INSERT/RELEASE MAGAZINE



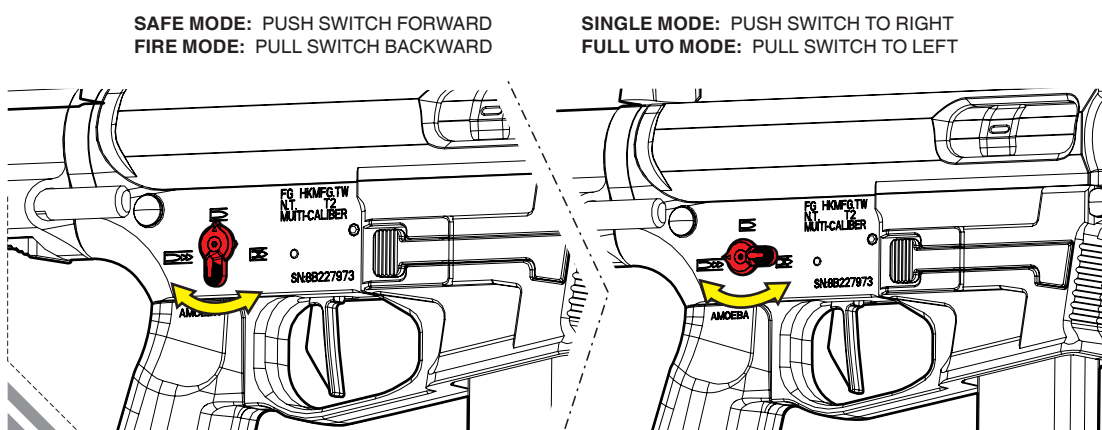
## HOP-UP ADJUSTMENT



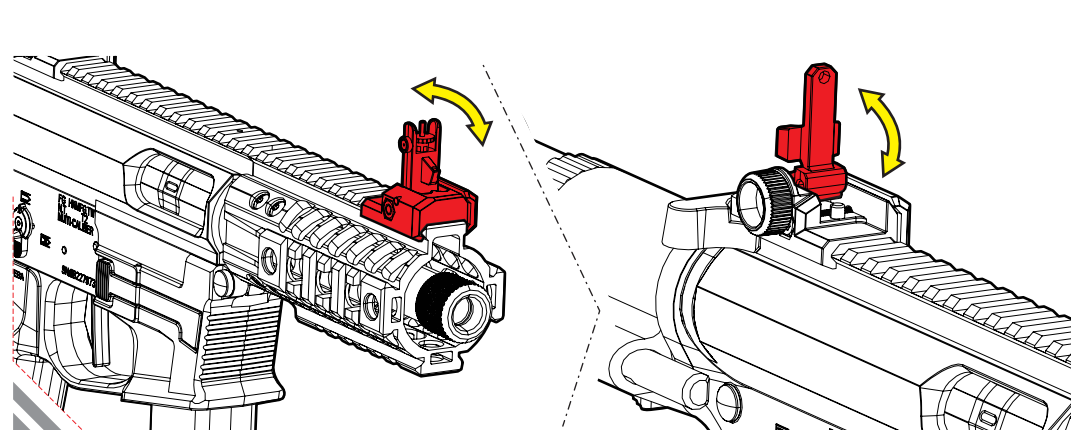
## PRODUCT FEATURES



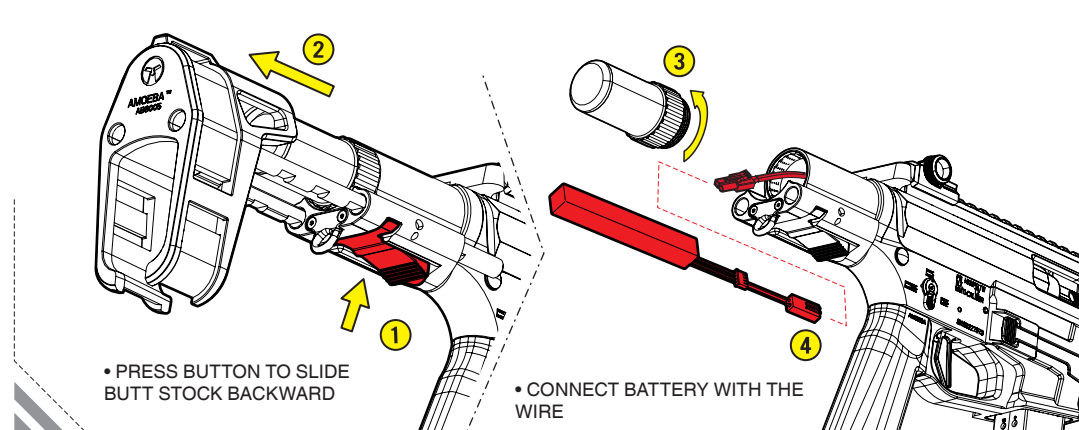
## SWITCH FIRE MODE



## FLIP-UP SIGHT



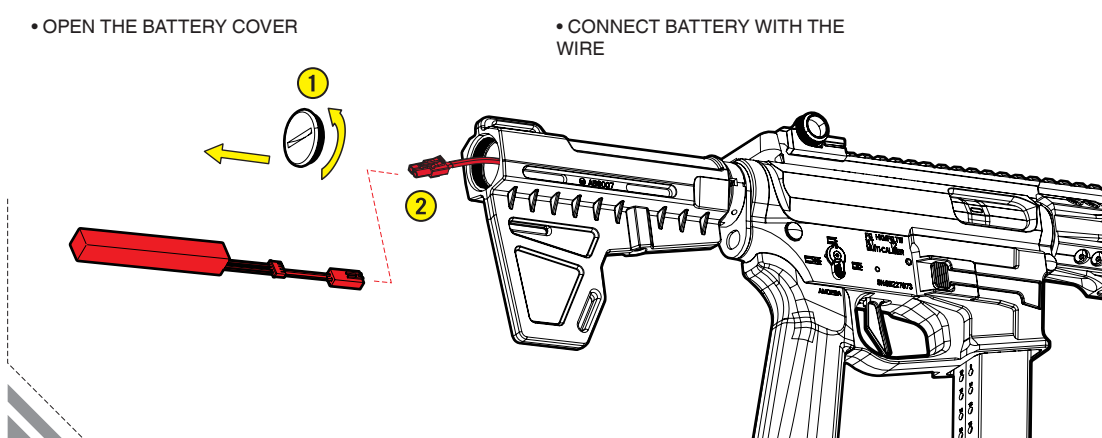
## BATTERY INSTALLATION



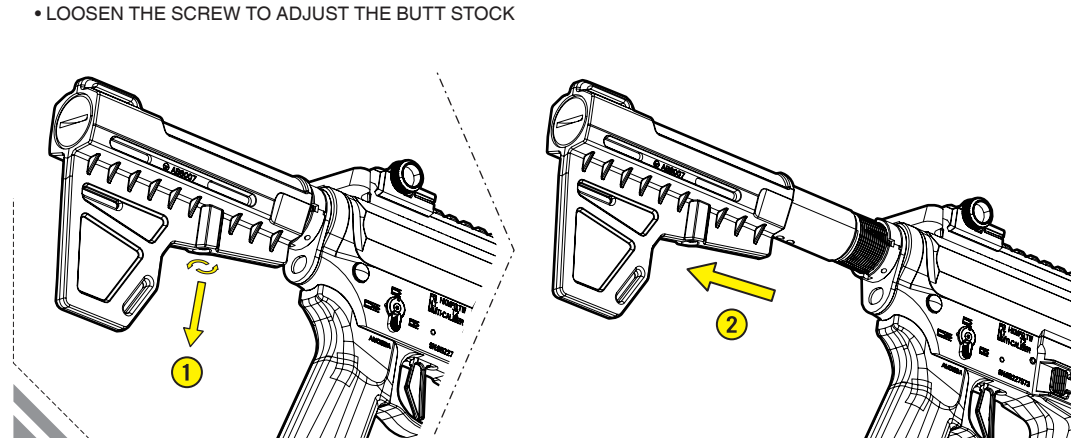
## SPECIFICATIONS

POWER SOURCE :	AEG
BATTERY :	11.1v 1200mAh Mini Nunchuck (2/3A) Stick
LENGTH :	560mm/550mm - 620mm
WEIGHT :	1810g/1950g
MAGAZINE CAPACITY :	Long/125 Short/55 Rounds (6mm BB)
FIRE MODE :	SAFE / SEMI / AUTO
MATERIAL :	CNC 6063 Aluminum + Nylon Fiber+ Metal
HOP-UP :	ADJUSTABLE
VELOCITY / ENERGY :	±430 FPS / <2 JOULES (Based on 0.20g BB)

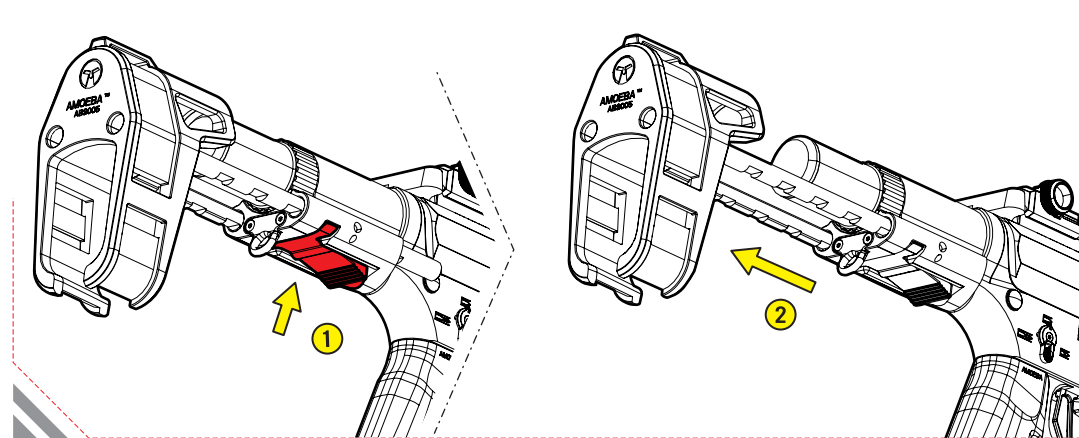
## BATTERY INSTALLATION FOR AR-087E/088E



## BUTT STOCK ADJUSTMENT FOR AR-087E/088E



## BUTT STOCK ADJUSTMENT



## SAFETY INSTRUCTIONS

**READ ALL INSTRUCTIONS BEFORE USE!**

• FOR ADULT USE ONLY. NOT TO BE OPERATED BY MINORS UNDER THE AGE OF 18.  
• NEVER MODIFY OR ALTER YOUR AIRSOFT GUN. Attempts to modify the airsoft gun in any way could make your airsoft gun unsafe to use, cause serious injury or death, and void the warranty.  
• Misuse of Airsoft Guns is dangerous and can cause serious injury or death. Always treat an Airsoft gun with the same respect you would towards a real firearm.

**SAFETY CONSIDERATIONS**

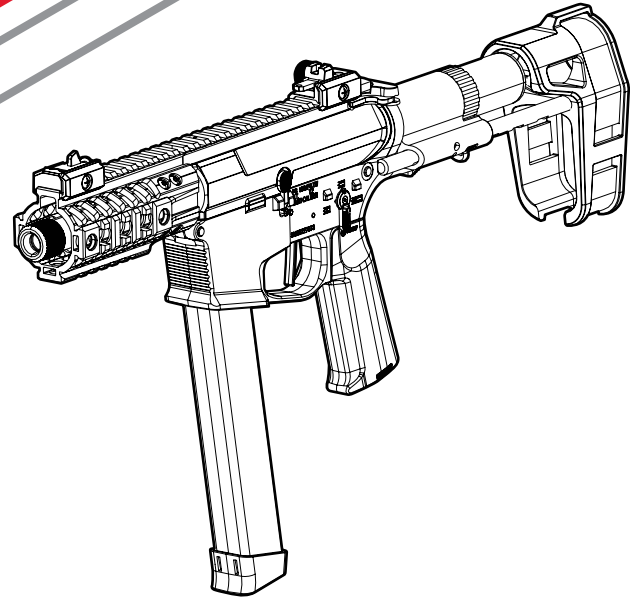
• NEVER look into the gun's muzzle.  
• NEVER point the Airsoft gun at anything you do not intend to shoot.  
• NEVER shoot at targets that may cause the BB to bounce off, such as hard surface that could produce a ricochet.  
• ALWAYS ensure the operator and everyone nearby are wearing appropriate eye protection.  
• ALWAYS ensure the fire-selector is on "SAFE" until you are ready to shoot.  
• ONLY shoot the airsoft gun in designated area, towards a safe direction, using a sufficient backstop.

**GENERAL PRECAUTIONS**

• This merchandise does not contain any internal components compatible or interchangeable with a real firearm.  
• This merchandise cannot accept firing components from a real firearm, nor be able to chamber / fire real ammunition.  
• This merchandise is designed to function solely with 6mm airsoft ammunition. ONLY use high-quality precision plastic BBs designed for 6mm Airsoft guns.  
• NEVER reuse a BB that is dirty, has been shot from the gun, or otherwise deformed.  
• Use of contaminated or imperfect BBs could damage your gun.  
• ALWAYS transport Airsoft guns in its original box or an appropriate gun case.  
• NEVER carry the gun in plain sight.  
• ALWAYS store the airsoft gun unloaded, and out of reach by children.  
• Using unauthorized repair centers or modifying the function of your airsoft gun in any way may be unsafe and will void your warranty.  
• The manufacturer, distributors, and retailers are not liable for any malfunction, accidents, injuries or repair cost resulting from misuse, or by disassembly and modification of the airsoft gun.

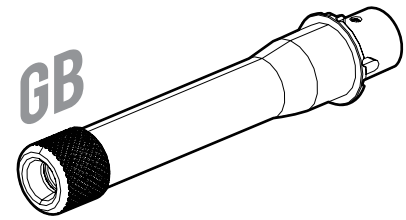
**CAUTION**

**CAUTION** TO PREVENT BATTERY POWER DRAINAGE, BATTERY MUST BE UNPLUGGED AND STORED SEPARATELY FROM AIRSOFT GUN AFTER USE.

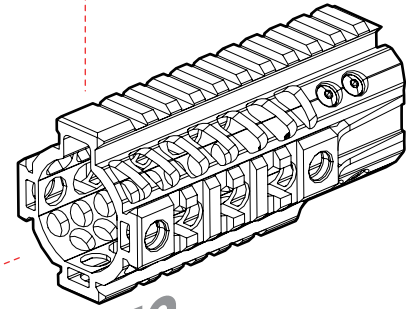


**M45**  
S-CLASS  
M4 45 PISTOL

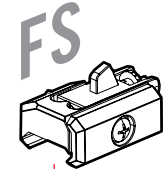
AR-085E/AR-086E



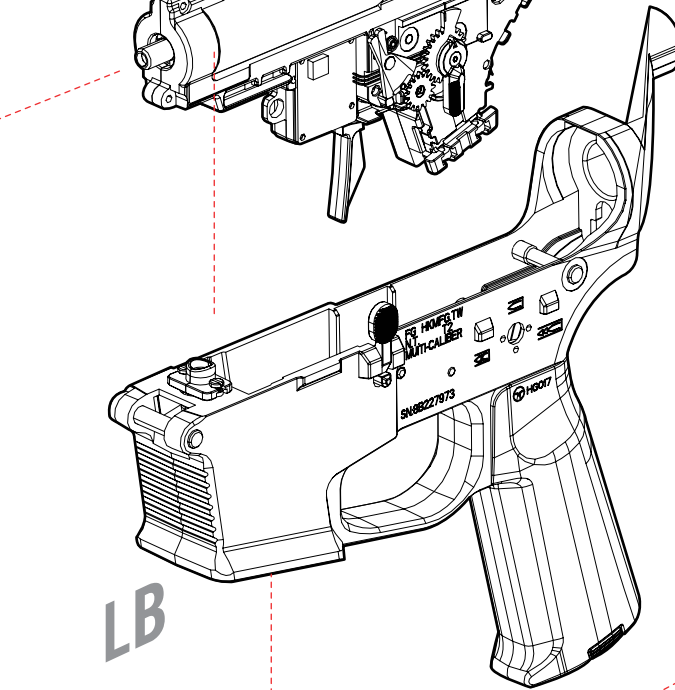
GB



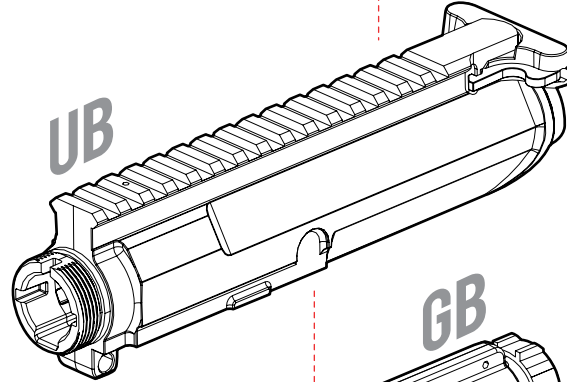
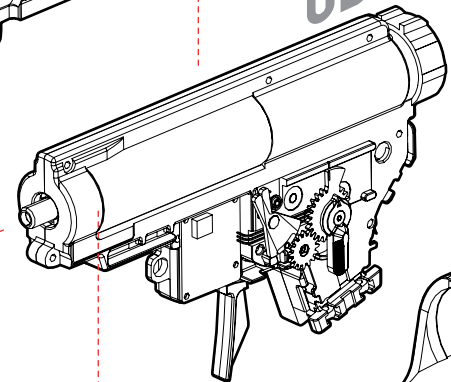
HG



FS

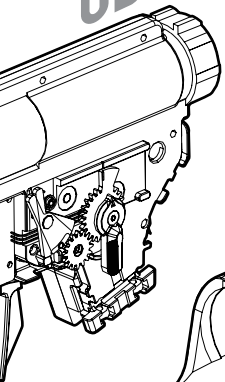


LB

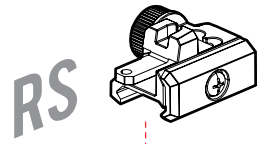


UB

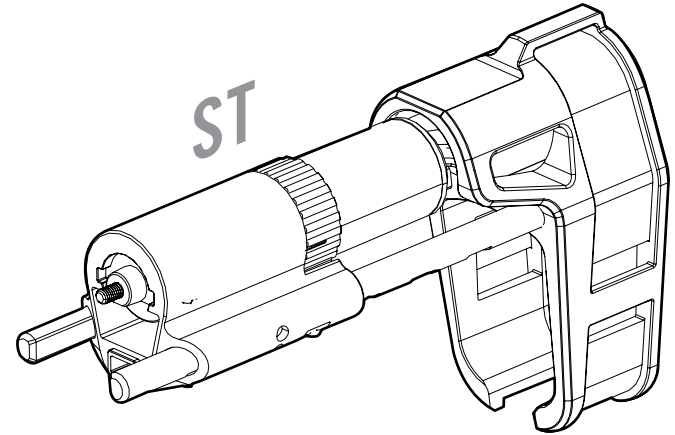
GB



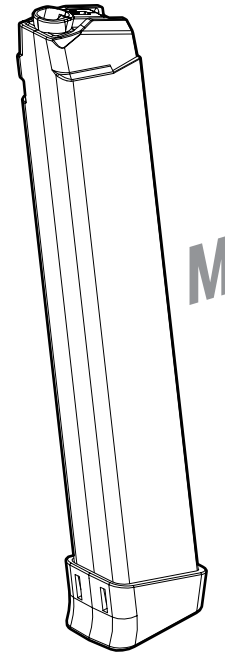
GB



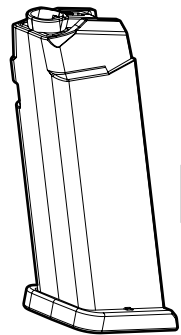
RS



ST



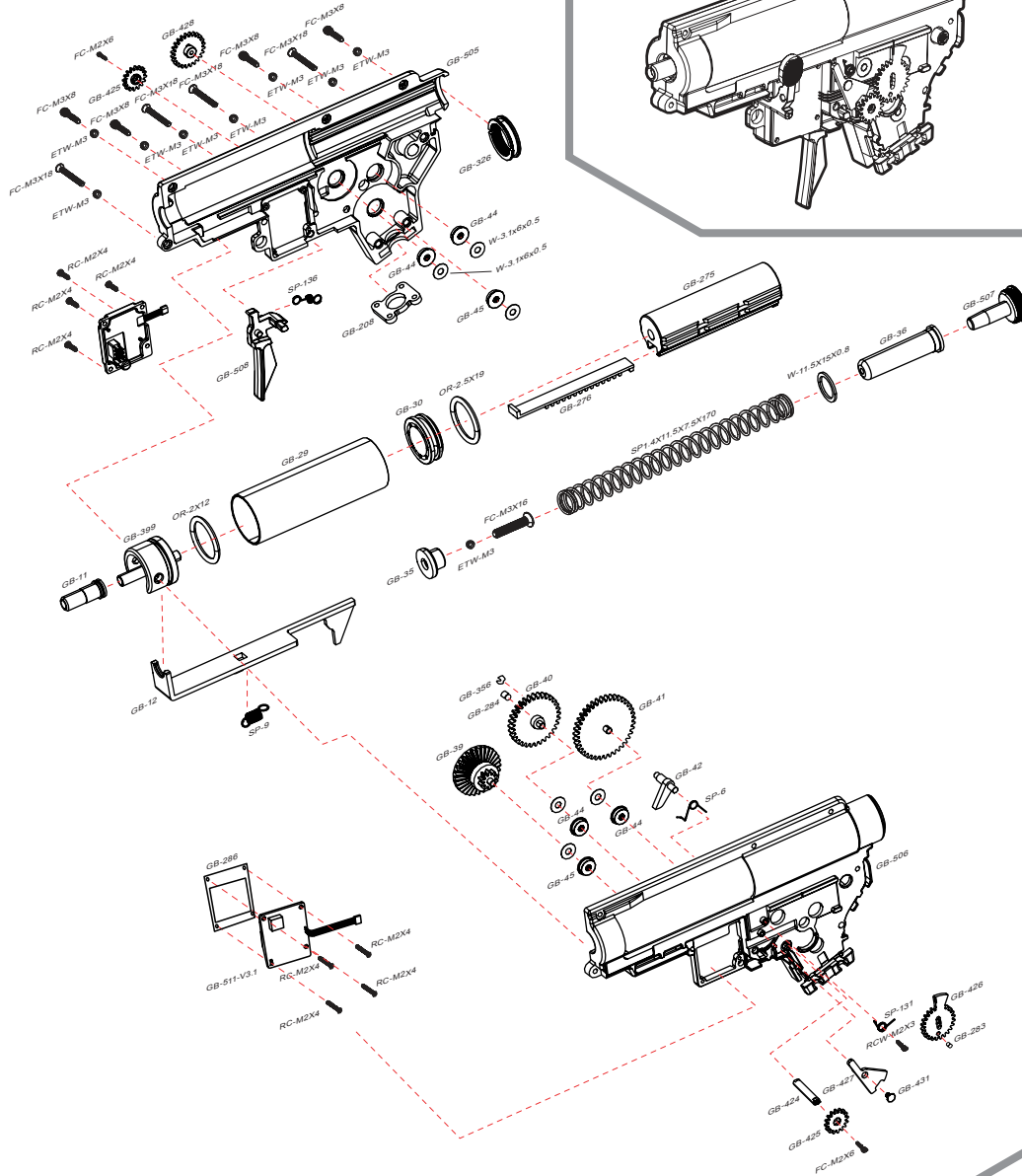
MG



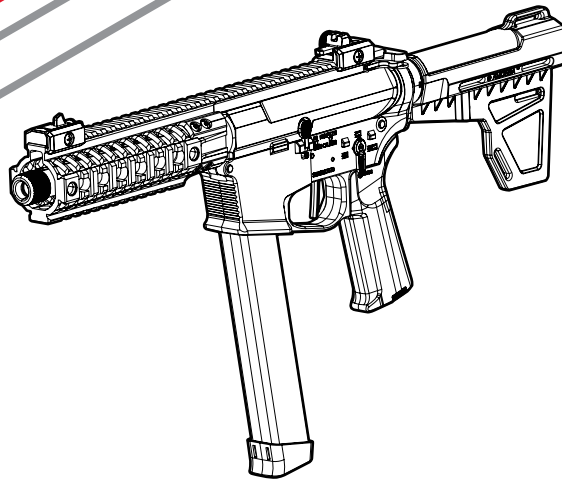
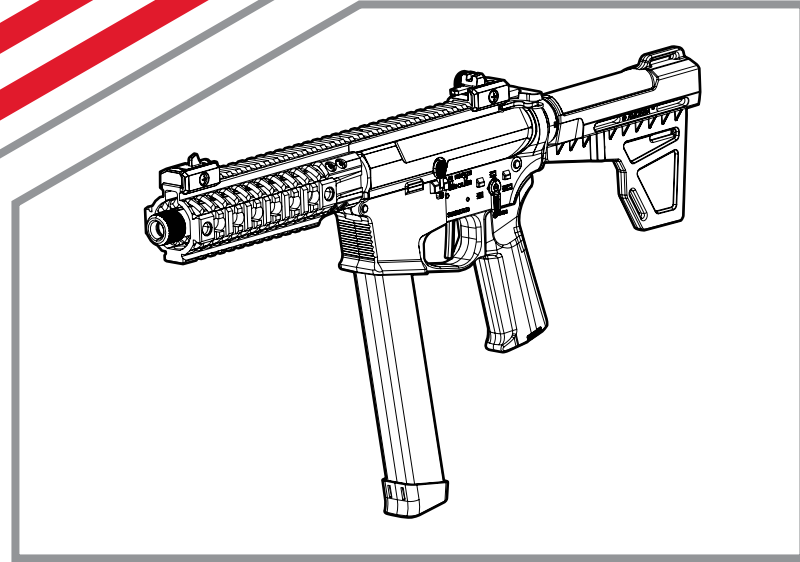
MG



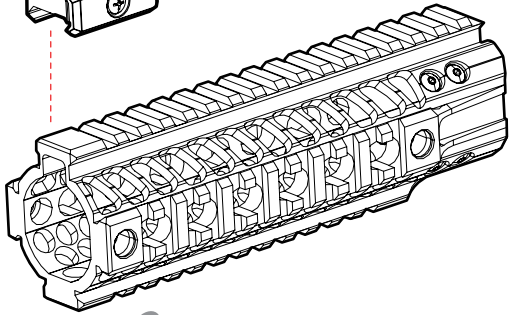
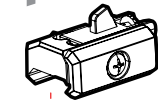
GEARBOX EXPLODED DIAGRAM





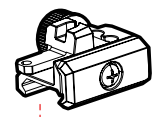


FS

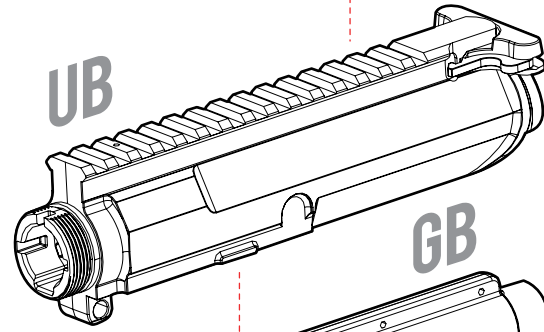


HG

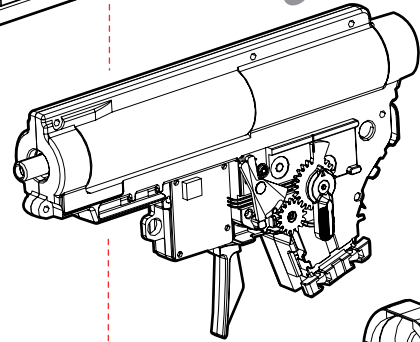
RS



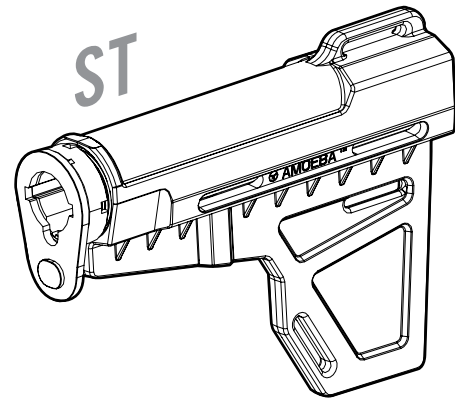
UB



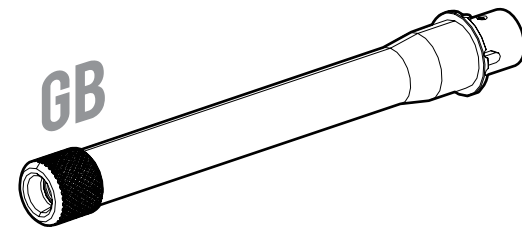
GB



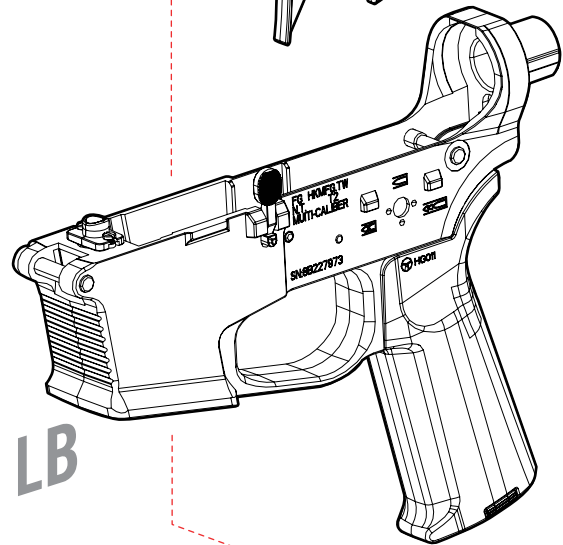
ST



GB



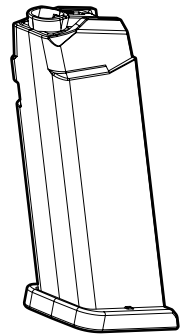
LB



MG



MG



**M45**  
S-CLASS  
M4 45 PISTOL

AR-087E/AR-088E



GEARBOX EXPLODED DIAGRAM

