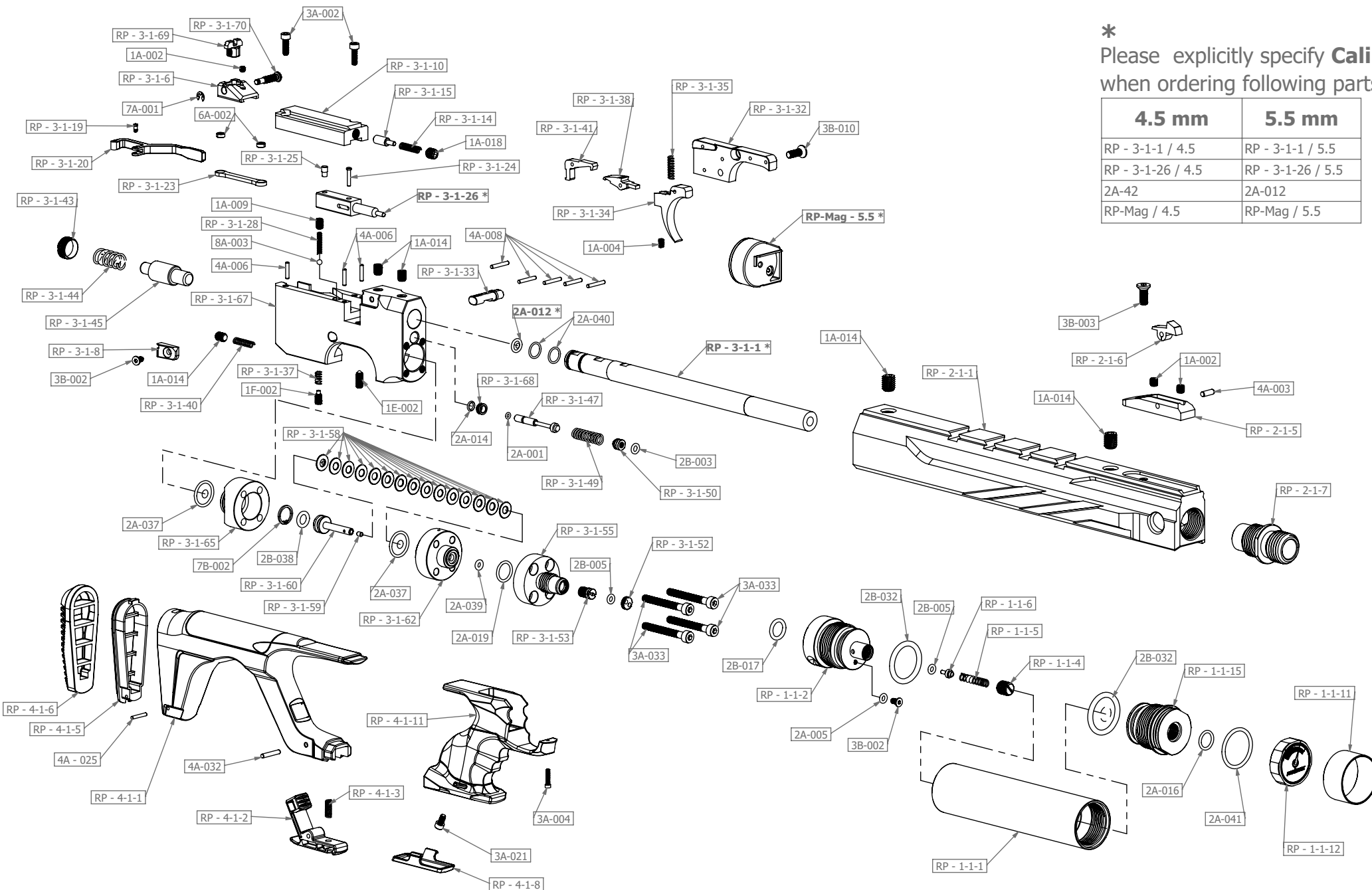


Please explicitly specify following information when ordering spare parts;
 1) "Part Code" that's seen in this drawing
 2) "Draw Date" of this exploded view (on the right top corner of the page)
 3) "Caliber" information for parts with an "**"

Drawn On: Nov 21st, 2022
Resim Tarihi: 21 Kasım 2022



* Please explicitly specify **Caliber** when ordering following parts;

4.5 mm	5.5 mm
RP - 3-1-1 / 4.5	RP - 3-1-1 / 5.5
RP - 3-1-26 / 4.5	RP - 3-1-26 / 5.5
2A-42	2A-012
RP-Mag / 4.5	RP-Mag / 5.5